



INFINIUM™ LED SERIES

6" LED DOWNLIGHT

20 / 30 / 40 WATTS

E6LED
SPECTRUM
INFINIUM™

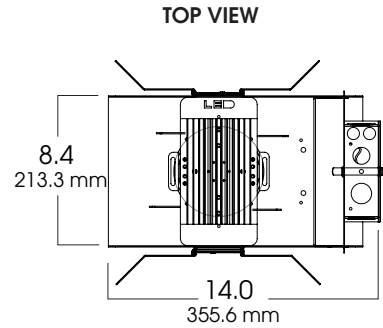
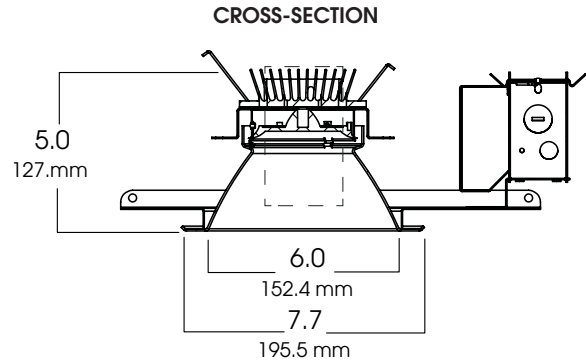
FEATURES & SPECIFICATIONS:

- Round 20/30/40 watt downlight series.
- All LED modules and drivers are replaceable and up-gradeable.
- 50,000 hours rated LED system life.
- Trim supports a variety of lens /accessory options.
- Intended for Non-IC new construction.
- Frame constructed of 20 galvanized steel.
- Supplied with 27" long, galvanized steel bar hangers.
- Dimming available. (See page 1-444)
- EM available. (See page 1-446)
- Manufactured and built to UL standard No 8750.

Max Ceiling Thickness: 1.5 (38.1 mm)
Ceiling Cutout: 7.0 ø (177.8 mm ø)
Fixture Weight: 5.3 lbs

KELVIN°	WATTAGE	LUMENS
27K°	30W	1280
	40W	1640
31K°	30W	1400
	40W	1800
35K°	30W	1520
	40W	1855
41K°	30W	1650
	40W	2100
51K°	30W	1900
	40W	2400

*Other wattages and Color temps (K°) available. Contact Factory



SERIES	LED	KELVIN	BEAM	VOLTAGE	OPTIONS	TRIM / FINISH	TRIM OPTIONS
SGE6LED- Spectrum INFINIUM™ 6" LED Downlight	20w	27K -2700° K	ND (12°)	E1 -Electronic,120V E2 -Electronic,277V	BH6 -Expandable Bar Hangers, 6" - 12"	AR6454-MW -Matte White (standard)	SO -Micro Prism Solite™ lens (standard)
	30w	31K -3100° K	MD (22°)		BH12 -Expandable Bar Hangers, 12" - 24"	SG -Semi-Diffuse Low Iridescent clear	PG -Prismatic Glass
	40w	41K -4100° K 51K -5100° K	WD (38°)	DS101 -Spectrum 0-10v Dimming 120v DS102 -Spectrum 0-10v Dimming 277v DLTE1 -Lutron 2 Wire Phase Dimming 120v ONLY DL33X -Lutron Hi-Lume Dimming 120v/277v DL3EX -Lutron ECOSYSTEM Dimming 120v/277v Dimming: See Page 1-444	CB24 -C-Channel bars (1-470) FS -Fuse Holder and Huse CCEA -Chicago Ceiling Plenum CCEA 1-480 CR -Corrosion Resistant (1-460) PR -Plaster Ring (1-430) TBC -T-bar clips (1-475) EMLED -Emergency Back-up Battery (1-423) GR -Goof Ring (1-470) SCA -Slope Ceiling Adaptor (1-435)	WE -Wheat Alzak MB -Matte Black CC -Custom Color PF -Polished Flange WF -White Flange	GL -Clear Glass FG -Frosted Glass GS -Gasket WL -Wet Location DEC -Decorative Trims
SGE6LED	40W	31K	MD	E1	EMLED	AR6454 SG	GS

Dimensions shown are nominal. Spectrum Lighting is continually improving products and reserves the right to make changes that will not alter performance or appearance with or without written notice.



PROJECT:	TYPE:
CAT. NO.:	

